

Input Pressure Leak Test Kit (01TA7650) Instructions For Use

The O-Two Input Pressure Leak Test Kit is designed to provide a means of ensuring that the pressure regulator, gas supply hose and fittings of O-Two oxygen powered devices are free from leaks and functioning correctly.

Note: It is recommended that the following Basic Field Testing should be performed on a regular basis (i.e monthly or as per your local protocol).

1. Visual inspection and test set up

- 1.1 Inspect the ventilator for mechanical damage.
- 1.2 Replace the intake filter.
- 1.3 With the ventilator gas input hose connected to Gas Supply Input on the ventilator and attach the other end of the hose to the ventilator connection on the assembled leak test kit as shown in Fig 1.

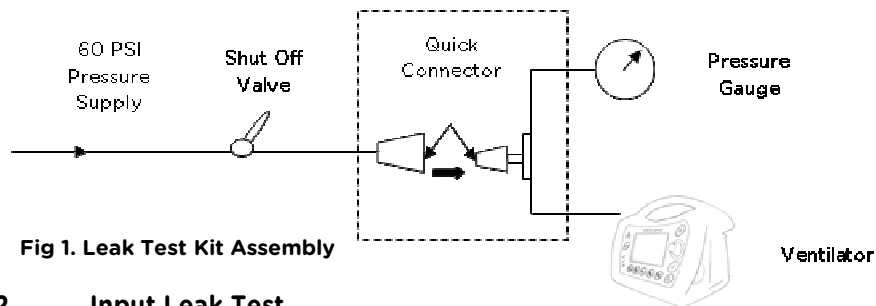


Fig 1. Leak Test Kit Assembly

2. Input Leak Test

- 1.4 With the Leak Test Kit and ventilator assembled, turn on the gas supply.
- 1.5 Once pressurized (as indicated on the pressure gauge) disconnect the quick connector of Input Pressure Leak Test Kit and observe the pressure reading on the Pressure Gauge for one minute.
- 1.6 The trapped pressure must not drop more than 1 PSI in the one minute test period.

3. If a Leak is Detected

- 3.1 Should a leak be detected, turn off the gas supply and release the remaining gas from the system.
- 3.2 Tighten all connectors firmly.
- 3.3 Re-connect the quick connector of Input Pressure Leak Test Kit and repeat the above leak test procedure.
- 3.4 If leak is still present, spray oxygen compatible leak detector on hose and connectors. Replace input hose or regulator if necessary.
- 3.5 Repeat the test.

Note: If a leak is still present and no external leak was detected using the above procedure, the unit must be returned to the manufacturer, or its authorised service center, for service or repair.

4. Replacement Parts and Accessories

01TA7650	Input Pressure Leak Test Kit	Each
01FV4303-AFNR	O-Two 6 Foot (1.85 Meter) O2 Supply Hose with AFNR probe and 9/16" DISS Nut Ventilator Connection	Each
01FV4303-AGA	O-Two 6 Foot (1.85 Meter) O2 Supply Hose with AGA probe and 9/16" DISS Nut Ventilator Connection	Each
01FV4303-CZCH	O-Two 6 Foot (1.85 Meter) O2 Supply Hose with CZECH probe and 9/16" DISS Nut Ventilator Connection	Each
01FV4303-DIN	O-Two 6 Foot (1.85 Meter) O2 Supply Hose with DIN probe and 9/16" DISS Nut Ventilator Connection	Each
01FV4303-DISS	O-Two 6 Foot (1.85 Meter) O2 Supply Hose with 9/16 DISS Nut and 9/16" DISS Nut Ventilator Connection	Each
01FV4303-UNFR	O-Two 6 Foot (1.85 Meter) O2 Supply Hose with UNIFOR probe and 9/16" DISS Nut Ventilator Connection	Each
01FV4303-BM	O-Two 6 Foot (1.85 Meter) O2 Supply Hose with BRITISH probe and 9/16" DISS Nut Ventilator Connection	Each

O-Two Medical Technologies Inc.

45A Armthorpe Road, Brampton, Ontario, Canada, L6T 5M4

Toll Free: (800) 387 3405 Tel: (905) 792 6896 Fax: (905) 799 1339

E-mail: resuscitation@otwo.com Website: www.otwo.com