

O-Two Self-Study Guide

**eSeries Transport
Ventilator
Control and
Function Keys
and Connections**



Control and Display Layout

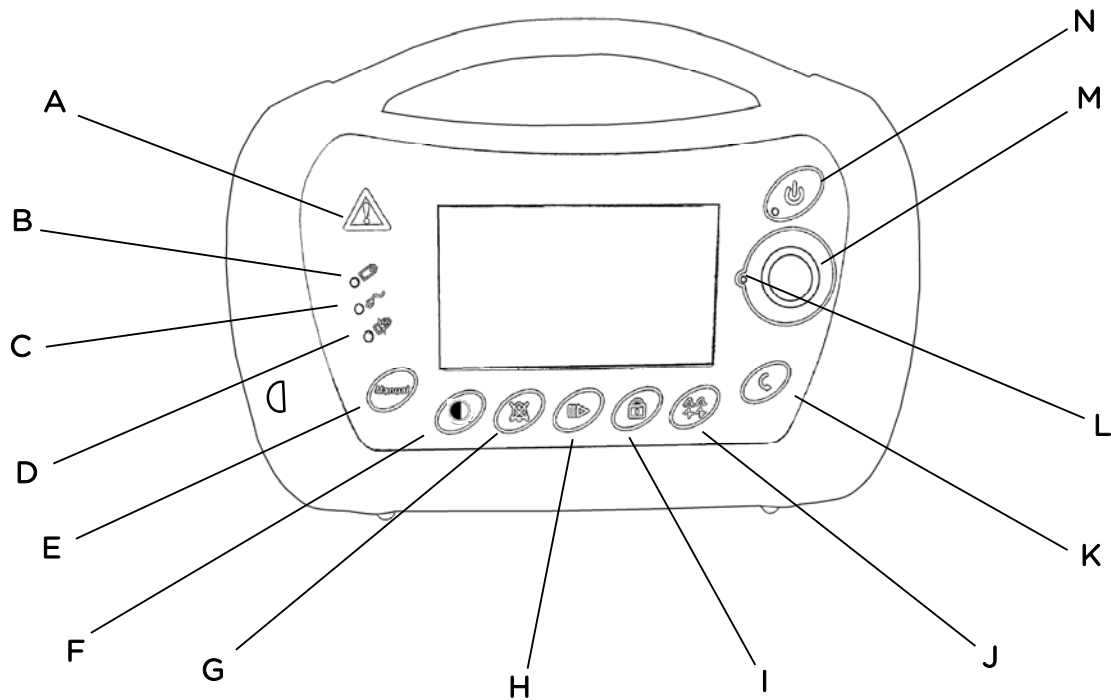


Figure 1

A - Warning indicator	H - Pause/Resume button
B - Battery operation indicator	I - Lock button
C - External power indicator	J - Waveform selection button
D - Battery charging indicator	K - Cancel button
E - Manual / Hold button	L - Confirmation indicator light
F - Set screen brightness button	M - Control Selection Knob
G - Alarm Silence button	N - ON/OFF button

Function Keys

While all ventilation parameter settings are controlled by the Control Selection Knob (M) in Figure 1, there are a number of key membrane buttons which control additional ventilator functions:

3.2.1 ON/OFF

To turn on the ventilator, Press the ON/OFF button (N) in Figure 1 for one second, during that second the associated green LED will start flashing at a high frequency. After 1 second the ventilator will turn on but without ventilation until the appropriate patient size symbol is selected. If the button is pressed and released for less than a second, the ventilator will remain OFF.

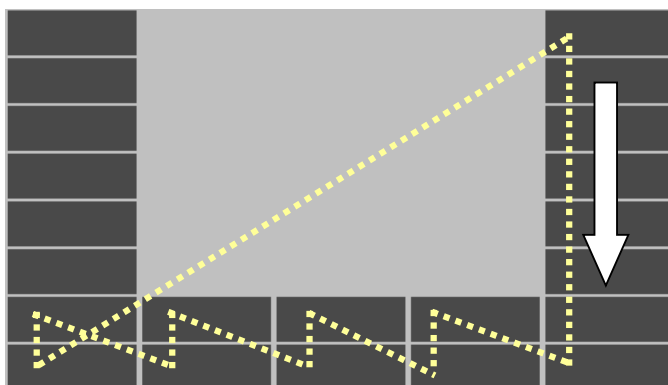
To turn off the ventilator, Press and hold the ON/OFF button for 4 seconds, the green power LED will start flashing at a high frequency. After 4 seconds the ventilator will turn off and all ventilation will stop. If the button is pressed and held for less than 4 seconds, the ventilator will stay ON.

Warning

At approximately 2% of full battery capacity, the ventilator will not start when in the off position or will shut down when operating.

3.2.2 Control Selection Knob

The Control Selection Knob (M) in Figure 1 is used to navigate between parameters, change modes, select primary function change when rotated, and to confirm function changes when pressed. Diagram below illustrates path of cursor when Control Selection Knob is rotated clockwise.



Control Selection Knob
rotation contour

Direction for clockwise knob rotation

Key Membrane Controls

3.2.3 Lock

Lock function will disable all buttons and the Control Selection Knob except for the ON/OFF, Alarm Silence and Day/Night buttons, which are enabled at all times.

To lock the key membrane or cancel the lock function:

- 1- Press Lock button (I) in Figure 1. The Lock symbol will be displayed on the screen.
- 2- To cancel the Lock function, press the Lock button (I) again.

Note:

During lock function, if any locked button is pressed, the Lock symbol will flash while the locked button is pressed.

3.2.4 Alarm Silence

Alarm Silence button (G) in Figure 1 will silence audible alarms for 120 seconds. It can also be selected when there is no alarm in order to silence potential alarms. This function is activated or deactivated by pressing the Alarm Silence button once.

When selected, Alarm Silence symbol will be displayed on the screen.

3.2.5 Waveform

Pressing Waveform selection button (J) in figure 1 will switch between the pressure and flow ventilation waveforms displayed on the screen.

3.2.6 Set Screen Brightness

Pressing this button will switch between 4 different screens as follows:

- 1- Light background with dark color text and waveform at 100 % light intensity.
- 2- Light background with dark color text and waveform at 35 % light intensity.
- 3- Dark background with light color text and waveform at 100 % light intensity.
- 4- Dark background with light color text and waveform at 35 % light intensity.

Note: this feature is active in ventilation mode screens only.

3.2.7 Cancel




The Cancel button (K) in Figure 1 allows the operator to return to the previous settings if the last unconfirmed changes in settings are not required.

3.2.8 Pause/ Resume




During activation of the Pause/ Resume button (H) in Figure 1, the ventilator will stop ventilating with all buttons kept active (if they are not locked) except Manual/ Hold button.

To activate pause function, proceed as follows:

1. Press Pause/ Resume button (H). The Pause symbol will flash on the screen with the confirmation symbol  and the Confirmation indicator (L) to guide users to activate pause function by pressing the Control Selection Knob (M).
2. The symbol will be flashing for 10 seconds and then disappear if the Control Selection Knob (M) is not selected. Users can also press the Cancel button (K) to quit this selection before 10 seconds.
3. Once activated, a flashing yellow pause symbol will be displayed on the screen and ventilator will stop ventilating.

Note

- a. During Pause, there will be an audible alarm associated with the flashing yellow Warning indicator (A) in Figure 1 every 15 seconds. Users can press Alarm Silence button to disable the audible alarm for 2 minutes but the yellow Warning indicator will continue flashing every 15 seconds.
 - b. During Pause, users can change and confirm new ventilation settings but no ventilation will occur unless Pause function is disabled.
4. To cancel Pause function, press Pause/ Resume button (H) again. The “Resume” symbol will flash on the screen with the confirmation symbol  and the Confirmation indicator (L) to guide users to resume ventilation by pressing the Control Selection Knob (M).
 5. When ventilation is resumed, the ventilator will recommence ventilation with current settings shown on the screen unless new set-up selections were made.

3.2.9 Manual/ Hold



During exhalation phase, if Manual/ Hold button (E) in Figure 1 is pressed, a mandatory breath will be initiated and either the flow rate or set pressure control parameter will be delivered as long as the Manual/ Hold button is pressed or until I-time setting is achieved.

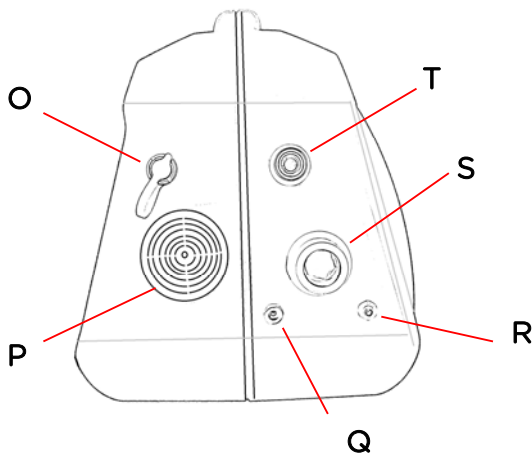
After I-time if the button still pressed, the ventilator will switch to inspiratory hold function in which the ventilator will cut the flow but will keep the exhalation port closed in order to block exhaled gas from going to ambient resulting in the maintenance of lung pressure.

The maximum inspiratory hold time is 6 seconds. After that time, the ventilator will switch to exhalation phase by opening airway pressure to ambient.

Note:

Manual/ Inspiratory Hold function exists in all modes except CPAP and CPR.

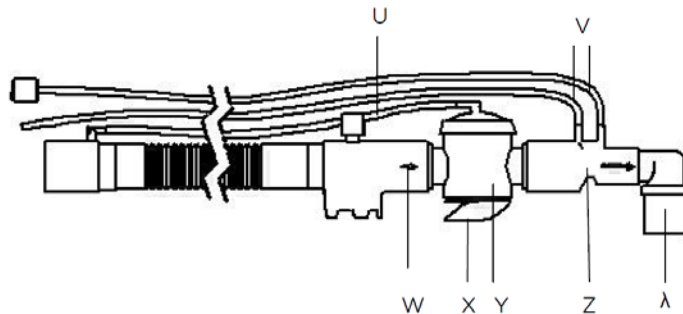
External Connectors



- O- DC Input connector
- P - Air Intake filter
- Q - Sensor connector #1
- R - Sensor connector #2
- S - 22mm gas output connector
- T - Gas supply input

Patient Circuit

- U: Breathing control hose
- V: 2 pressure sensing hoses
- W: one way intake valve
- X: Exhalation port
- Y: breathing valve
- Z: Flow sensor adapter



O-Two Medical Technologies Inc.

45A, Armthorpe Road, Brampton, Ontario, Canada L6T 5M4

Toll Free: **(800) 387 3405** Tel: **(905) 792 OTWO (6896)** Fax: **(905) 799 1339**

E-mail: resuscitation@otwo.com Website: www.otwo.com