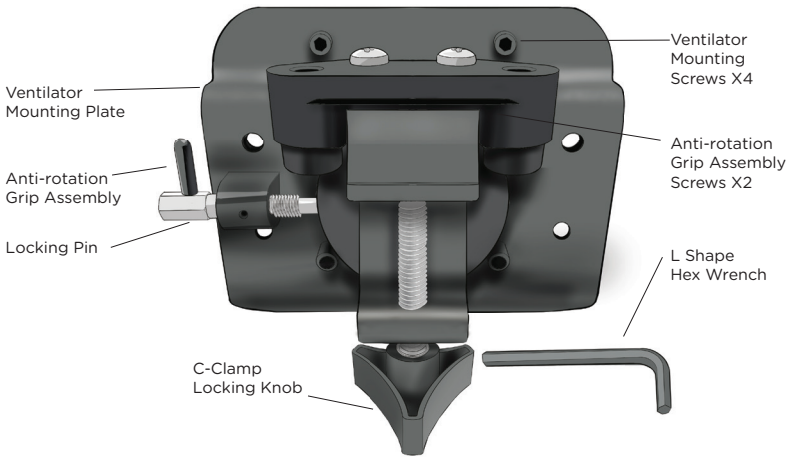


## *SMARTMOUNT* Mounting Bracket for e-Series Ventilators

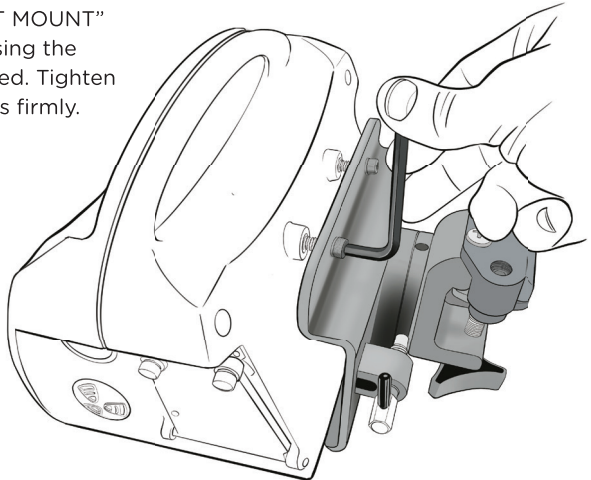
### 01.SETTING UP

Remove from packaging. Ensure all components are in place as per Fig. 1.



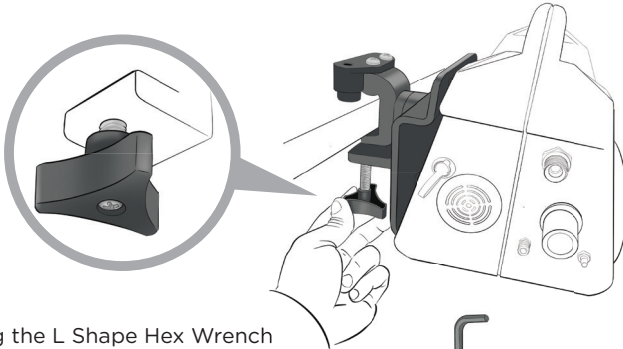
### 02. Attachment of e-Series Ventilators to the Mounting Bracket

Attach Ventilator to "SMART MOUNT" Mounting Bracket (Fig 2.) using the L Shape Hex Wrench provided. Tighten 4 ventilator mounting screws firmly. (Do not overtighten)

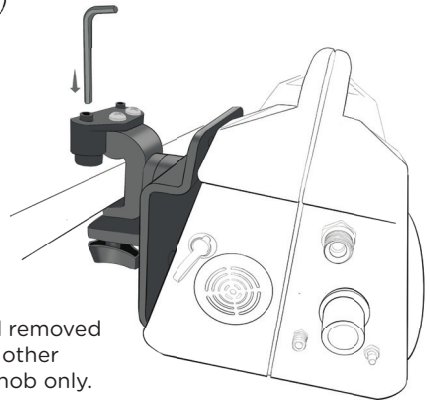


## 03. Mounting SMART MOUNT

- A** Mounting Bracket to Stretcher Bar or I.V. Pole. Ensure that the pole or bar is clean and free from oil or grease. The pole/bar diameter should be between 0.5" - 1.25".
- B** For first time attachment, attach the Smart Mount C-Clamp to the selected mounting location and tighten the C-Clamp locking knob (Fig 3).



- C** Using the L Shape Hex Wrench provided, firmly tighten the two anti-rotation grip assembly screws to the mounting bar, I.V. pole or other location (Fig 4).
- D** Check the C-Clamp locking knob for a tight fit and retighten if necessary.
- E** The ventilator may now be attached and removed from the same mounting bar, I.V. pole or other location by using the C-Clamp locking knob only.



### NOTE

When mounting to the same diameter mounting bar, I.V. pole or other location in the future the initial set up detailed in steps 3 and 4 will not be required. If mounting to a mounting bar, I.V. pole or other location of different diameter please repeat steps 1 through 4.



**O-TWO MEDICAL TECHNOLOGIES INC.**

45A Armthorpe Road, Brampton, ON, Canada, L6T 5M4  
Tel.: +1 905 792-OTWO (6896) N.A. | Fax: +1 905 799 1339

[www.otwo.com](http://www.otwo.com)