



O-Two eSeries Carrying Case



POCKET HOLES Allow the hoses to remain connected in the case and eliminate the need for attachment during an emergency.



SHOULDER STRAP The adjustable sling-style strap makes carrying more convenient and comfortable.



LOWER POCKET Provides adequate storage space for patient circuit and oxygen supply hose.



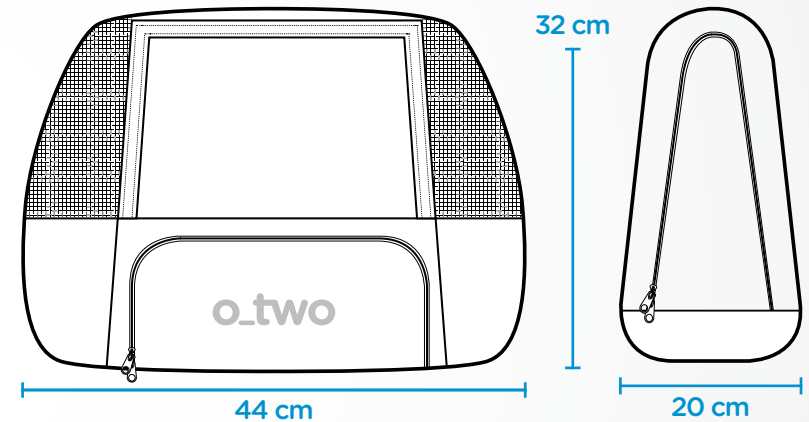
OPTIONAL MOUNTING BRACKET Allows attachment to I.V. Pole or trolley side/foot rail for transport.

eSeries AUTOMATIC TRANSPORT VENTILATOR CARRYING CASE

Semi-rigid bag that organizes your automatic transport ventilator, oxygen circuit and hose, power cables and extra batteries.

Large bottom and front-opening main compartment and 2 large accessory pouches on the sides allow the lid to be fully opened for quick and easy access to connections and battery. The large central compartment has velcro opening to access the ventilator if needed. Adjustable shoulder strap plus eyelets in the back to connect the ventilator mount.

COMPACT | DURABLE | READY TO USE



ORDERING INFORMATION

01CV7050 - eSeries Automatic Transport Ventilator Carrying Case - With sling-style shoulder strap (specifically designed for eSeries)